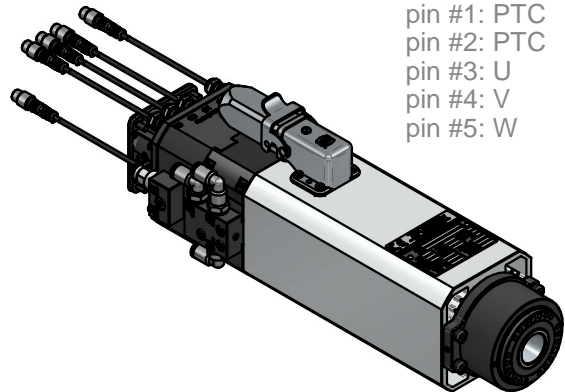
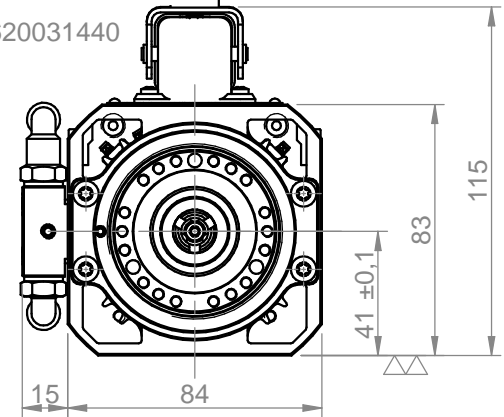
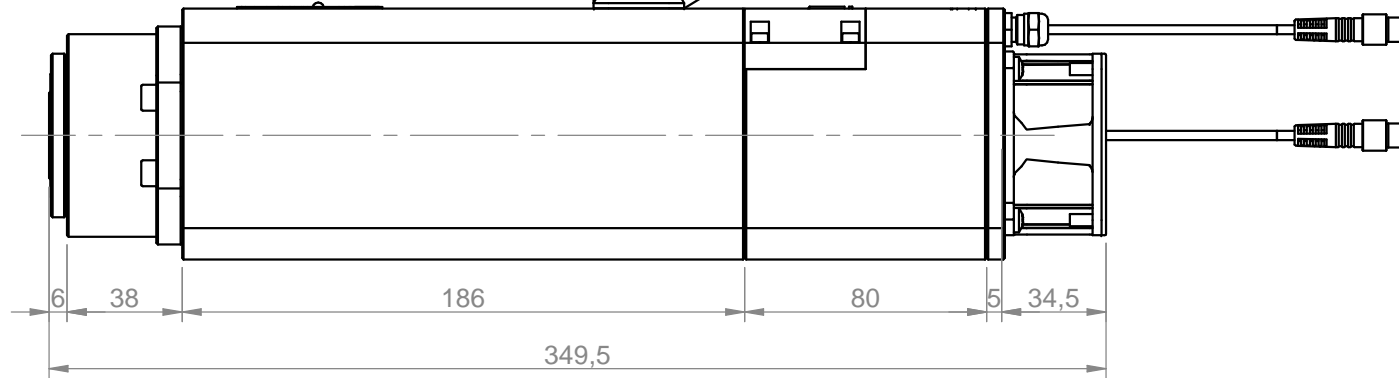
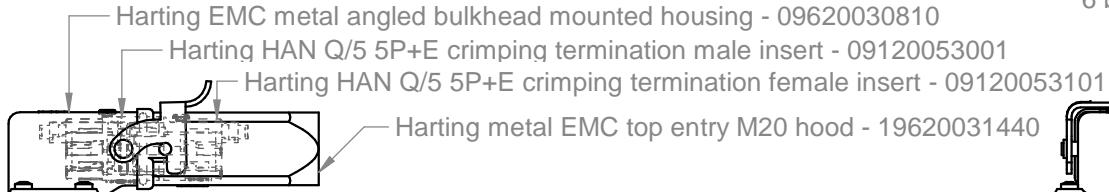


SENSOR FUNCTIONS	
S1	Tool holder is hooked up correctly
S2	Collet is open
S3	Speed sensor 2 high/rev
S5	Piston in upper position



PLUG CONNECTION
 pin #1: PTC
 pin #2: PTC
 pin #3: U
 pin #4: V
 pin #5: W

Power [kW]	Duty Cycle	Base speed [rpm]	Base freq. [Hz]	Base voltage Δ [V]	Absorb. Δ [A]	Base voltage Y [V]	Absorb. Y [A]	
2.2	S6 60%	24000	400	220	8.4			
Power [kW]	Duty Cycle	Base speed [rpm]	Base freq. [Hz]	Base voltage Δ [V]	Absorb. Δ [A]	Base voltage Y [V]	Absorb. Y [A]	Teknomotor S.r.l. Via Argenege 31, I-32038 Quero Vas (BL) www.teknomotor.com
Min speed [rpm]	Max speed [rpm]	Max freq. [Hz]	Protection	Ins. Cl.	Part number on nameplate		Title	
6000	30000	500	IP54	F	COMTC410006			
Balancing according to ISO 1940 - G2.5 @ 30000 rpm		Balancing type	tool type full key	tool type half key	Peso / weight		ATC41-C-2DB-ISO20-SN-HY	
					6.80 kg			
rev. n°	description		date	signature		Customer	Drawing code	
00	Emissione		14/02/2020	D. Bottarel		Catalogo	COMTC410006	
Tolleranze non quotate: UNI EN 22768 fH Smussi non quotati: 0.5 mm Rugosità secondo UNI ISO 1302								
drawn - date	approved - date	checked - date	sostituisce il		foglio / sheet	scala		
D. Bottarel - 14/02/2020	S. Perli - 14/02/2020	S. Perli - 14/02/2020	sostituito dal		1 / 1	n.d.		