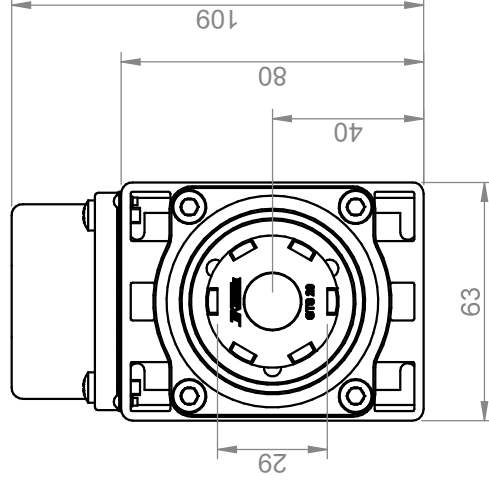
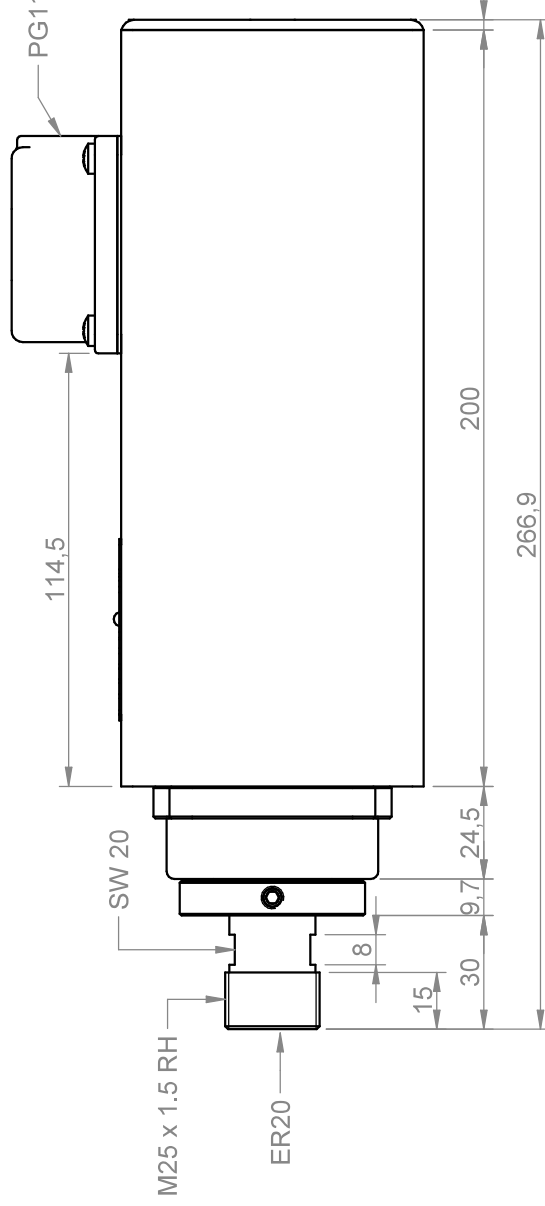
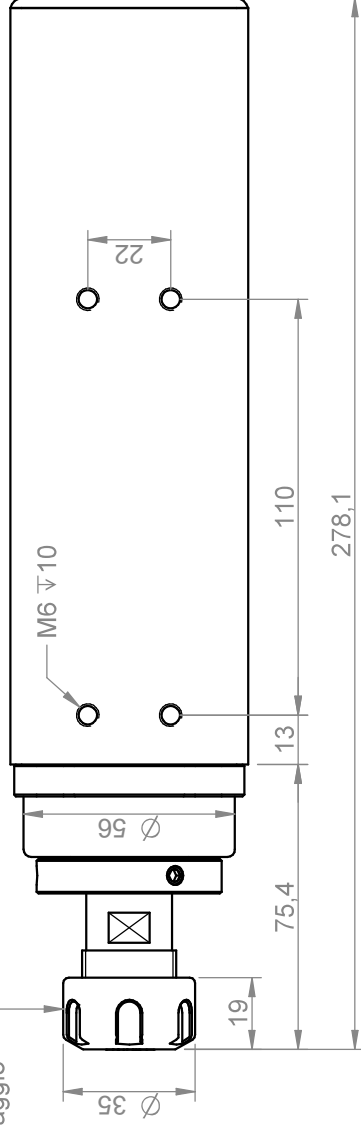
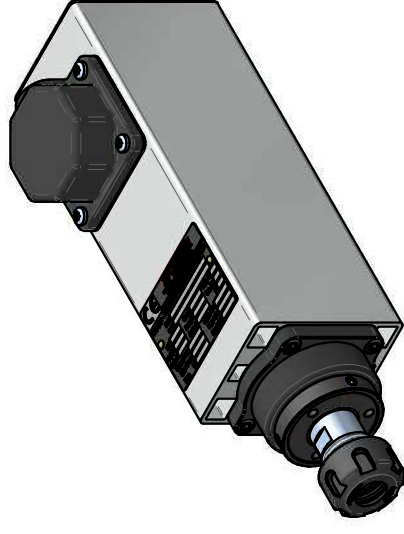


Ghiera serraggio
GTS20 RH



Power [kW]	0.73	Duty Cycle	S1	Base speed [rpm]	18000	Base freq. [Hz]	300	Base voltage Δ [V]	220	Base voltage Y [V]	380	Protection	IP54	Ins. Cl.	F
Min speed [rpm]	6000	Max speed [rpm]	24000	Max freq. [Hz]	400	Absorb. Δ [A]	3.6	Absorb. Y [A]	2.1	Part number on nameplate	COM31400219	Reso / weight	3.91 kg		
Balancing: G2.5 - ISO 1940 @ maximum motor speed		Balancing type		Cool type		Full key	Cool type	Half key	Title		3140-C-DBS-P-ER20-RH				
Tolleranze non quotate / unlisted tollerances: ±0.5mm Simussi non quotati / unlisted chamfers: ±0.5mm		Tolleranze non quotate / unlisted tollerances: ±0.5mm Simussi non quotati / unlisted chamfers: ±0.5mm		Cool type		Full key	0.8	3.2	12.5	Customer		Catalogo			
rev. n° description		approved - date		checked - date		date		signature		Drawing code		Drawing n°			
00 Emissione		S. Perli - 21/04/2010		S. Perli - 21/04/2010		21/04/2010		D. Bottarel		COM31400219		1701			
drawn - date		approved - date		checked - date		date		signature		Drawing code		Drawing n°			
D. Bottarel - 21/04/2010		S. Perli - 21/04/2010		S. Perli - 21/04/2010		21/04/2010		D. Bottarel		COM31400219		1701			
										foglio / sheet		scala		A4	
										1 / 1		1:2			