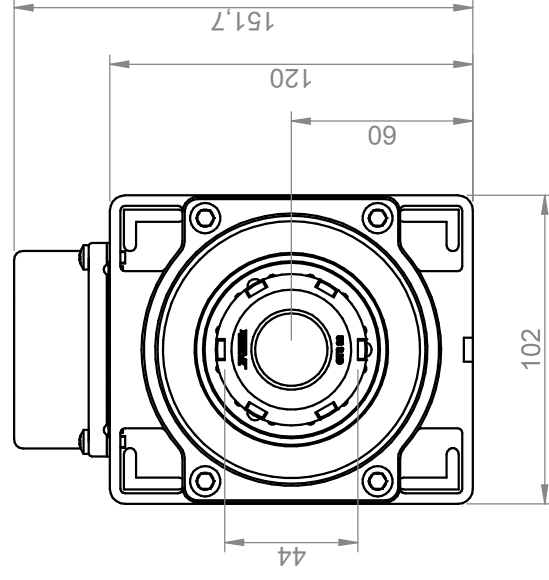
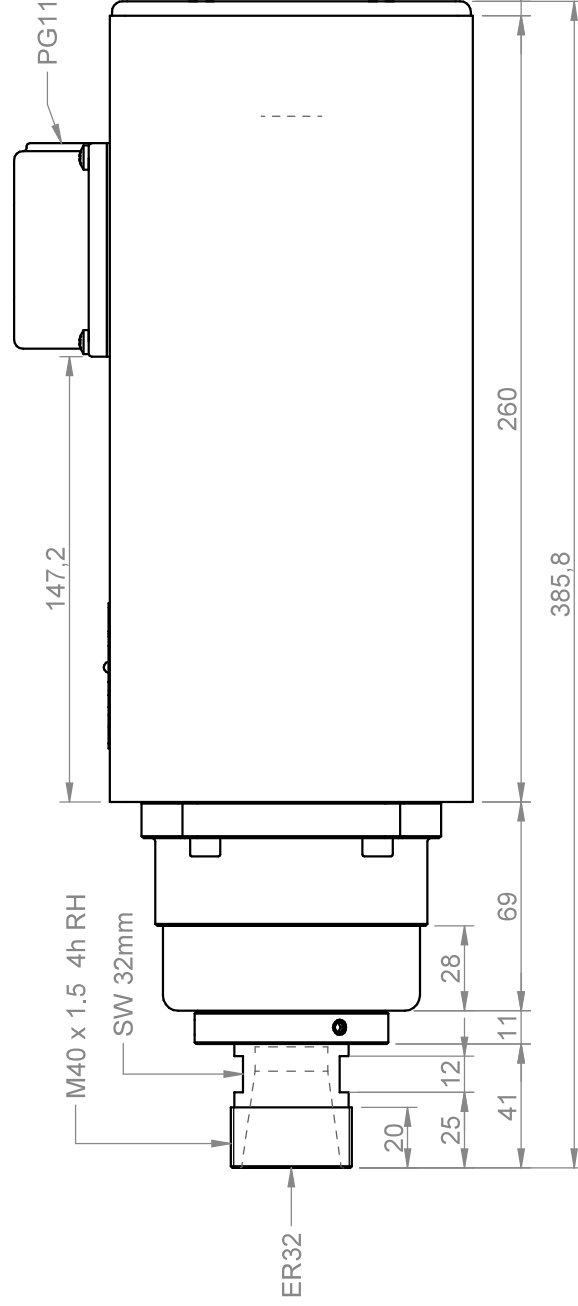
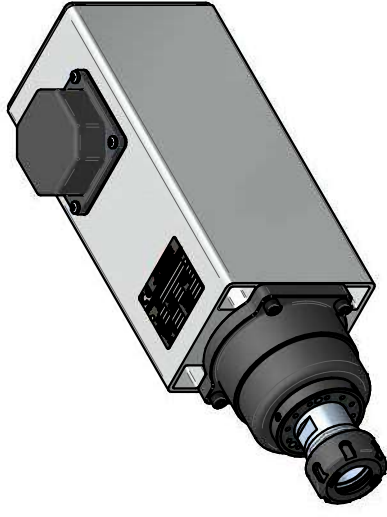
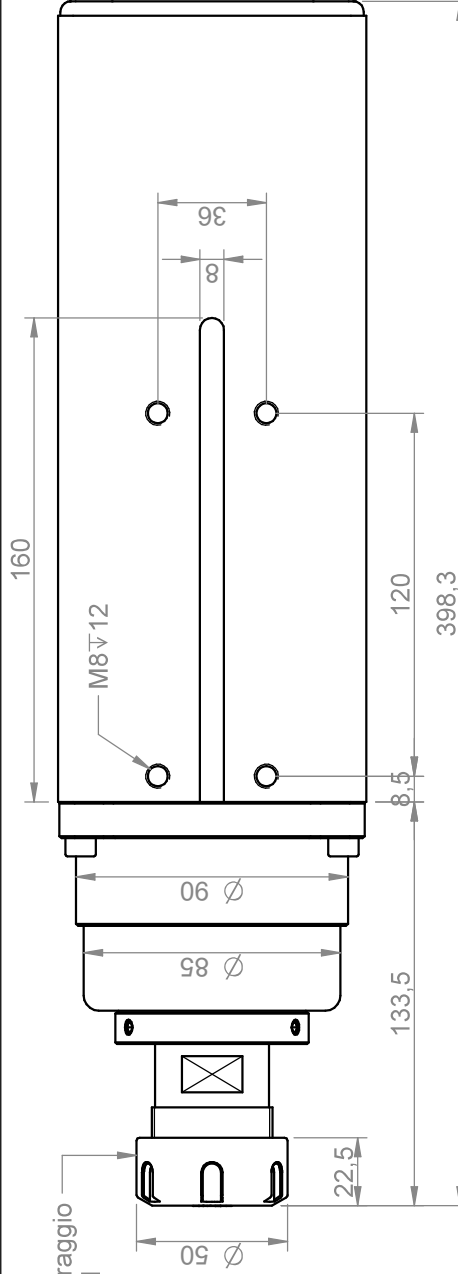


Ghiera serraggio
GTS32 RH



Power [kW]	5.6	Duty Cycle	S1	Base speed [rpm]	18000	Base freq. [Hz]	300	Base voltage Δ [V]	220	Base voltage Y [V]	380	Protection	IP54	Ins. Cl.	F
Min speed [rpm]	6000	Max speed [rpm]	18000	Max freq. [Hz]	300	Absorb. Δ [A]	20.0	Absorb. Y [A]	11.5	Part number on nameplate	COM51600198				
Balancing: G2.5 - ISO 1940 @ maximum motor speed	Balancing type				cool type	full key	cool type	half key	Peso / weight		14.60 kg				
Tolleranze non quotate / unlisted tollerances: ±0.5mm		Simussi non quotate / unlisted chamfers: ±0.5mm		0.8	3.2	12.5	~	∅	Title						
rev. n°	00	description		Emissione		date		signature		Customer					
drawn - date	D. Bottarel - 12/01/2015	approved - date	S. Perli - 12/01/2015	checked - date	S. Perli - 12/01/2015	sostituisce il		sostituito dal		Drawing code		Drawing n°			
										COM51600198		1699			
										foglio / sheet		scala		A4	
										1 / 1		n.d.			

TEK
nomotor

Teknomotor S.r.l.
Via Argemone 31, I-32038 Quero Vas (BL)
www.teknomotor.com

5160-D-DB-P-ER32-RH