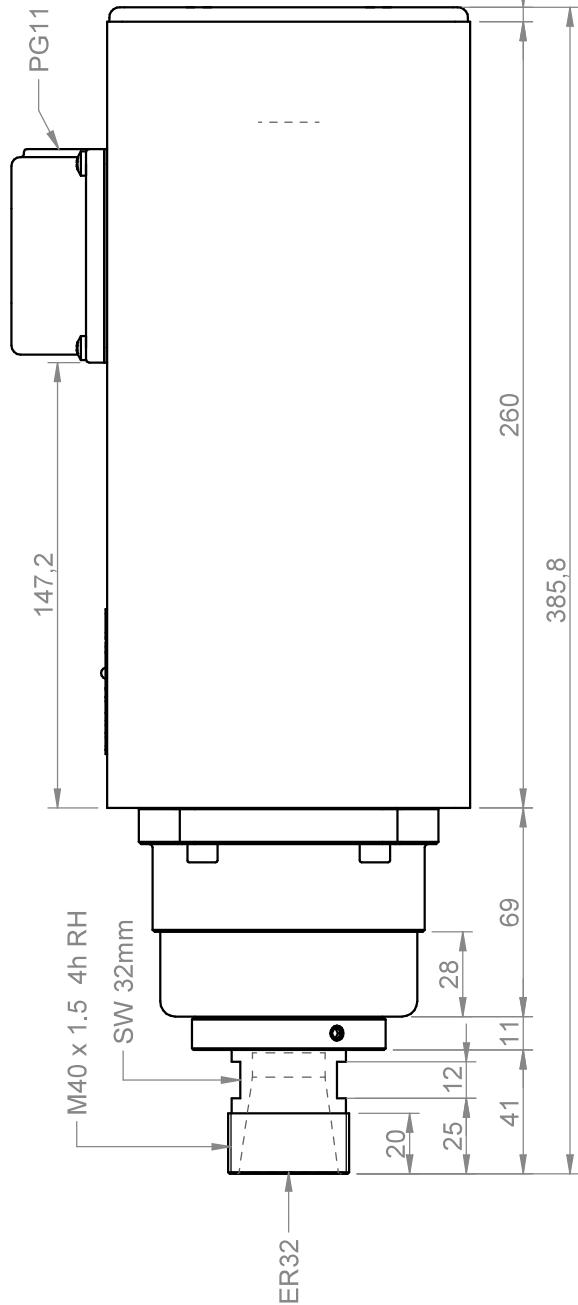
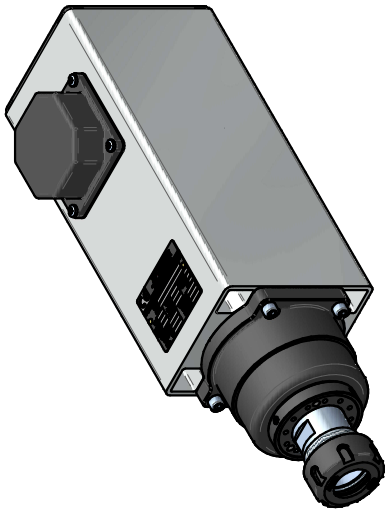
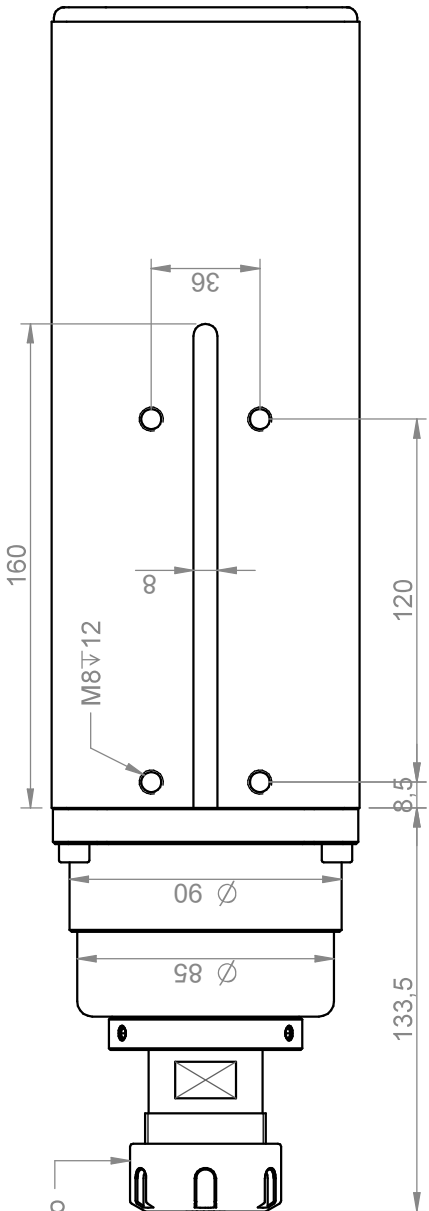


Ghiera serraggio
GTS32 RH



| | | | | | | | | | | | |
|---|--|---|--|-----------------------|-----------------|--------------------|--------------------------|--------------|--|------------|--|
| Power [kW] | | Duty Cycle | | Base speed [rpm] | Base freq. [Hz] | Base voltage Δ [V] | Protection | Ins. Cl. | Teknomotor S.r.l. Via Argentea 31, I-32038 Quero Vas (BL) www.teknomotor.com | | |
| 3.7 | | S1 | | 12000 | 200 | 220 | IP54 | F | | | |
| Min speed [rpm] | | Max speed [rpm] | | Max freq. [Hz] | Absorb. Δ [A] | Absorb. Y [A] | Part number on nameplate | | | | |
| 6000 | | 18000 | | 300 | 15.0 | 8.7 | COM51600243 | | | | |
| Balancing: G2.5 - ISO 1940 @ maximum motor speed | | Balancing type | | cool type | cool type | cool type | Peso / weight | | | | |
| Tolleranze non quotate / unlisted tollerances: ±0.5mm | | Tolleranze non quotate / unlisted tollerances: ±0.5mm | | full key | half key | half key | 14.60 kg | | | | |
| Simussi non quotate / unlisted chamfers: ±0.5mm | | Simussi non quotate / unlisted chamfers: ±0.5mm | | ∞ = 0.8 ∇ | ∞ = 3.2 ∇ | ∞ = 12.5 ∇ | | | Title | | |
| rev. n° | | description | | date | | | signature | | Customer | | |
| 00 | | Emissione | | 29/12/2015 | | | D. Bottarel | | Catalogo | | |
| drawn - date | | approved - date | | checked - date | | sostituisce il | | Drawing code | | Drawing n° | |
| D. Bottarel - 29/12/2015 | | S. Perli - 29/12/2015 | | S. Perli - 29/12/2015 | | sostituito dal | | COM51600243 | | 2212 | |
| folgio / sheet | | scala | | n.d. | | | | | | A4 | |
| 1 / 1 | | n.d. | | | | | | | | | |